

TL448/TL554/TL685 BATTEN LIGHT

INSTALLATION MANUAL



GENERAL INFORMATION

A qualified electrician should carry out wiring connection to the mains supply in accordance with local wiring regulations.

Isolate the mains supply before commencing installation.

Do not carry out high voltage insulation testing as this may damage internal components.

The chosen location of your new fitting should allow for the product to be securely mounted and safely connected to the mains supply (Lighting circuit).

Ensure that the fitting will be accessible after installation for maintenance.

Ensure the product is free from damage. Do not attempt to install damaged products please contact manufacturer.

The product should not be disassembled or modified in any way. Doing so will invalidate all warranties.

Do not install the fitting with the glass facing vertically upwards even during installation.

To clean the exterior of your batten light use a clean dry cloth. Avoid chemicals and abrasive cleaners.

FITTING INFORMATION

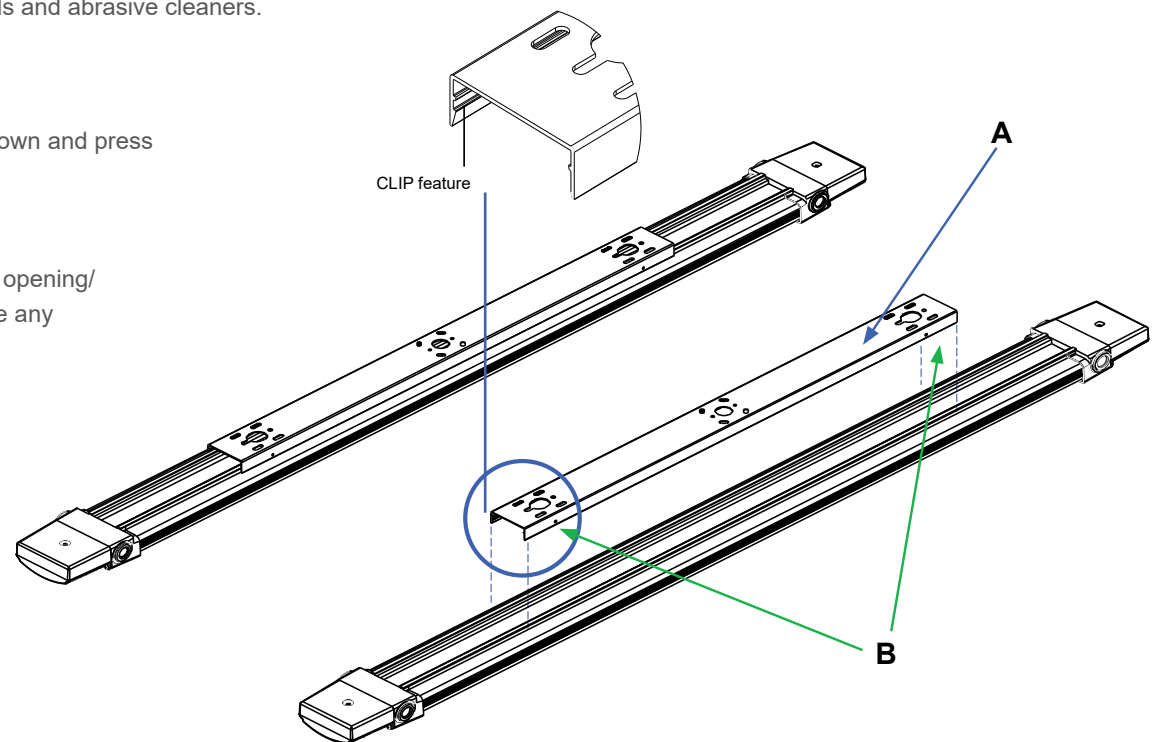
Fix mounting bracket 'A' to ceiling Insert fitting into CLIP feature in bracket shown and press fitting up into bracket Secure with the two screws indicated at 'B'

WARNING: Luminaire must be earthed

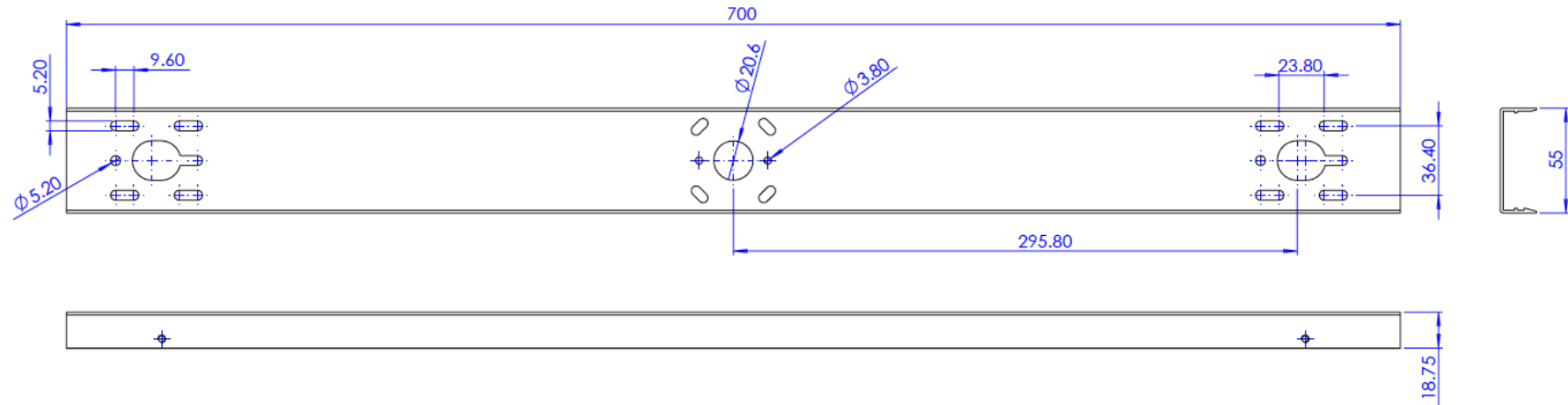
This luminaire operates at mains voltage which **MUST** be switched off before opening/wiring. Any modification to this luminaire is strictly forbidden and will invalidate any warranty.

THIS LUMINAIRE MUST BE FUSED AT A MAX OF 6 Amps

Model	Length	Weight kg
TL4	1215	2.00
TL5	1515	2.25
TL6	1815	2.85

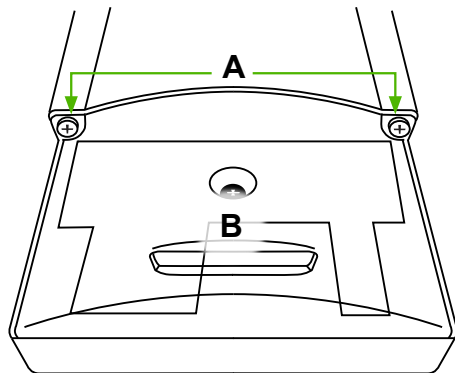


DIMENSIONS FOR MOUNTING BRACKET



WIRING INSTRUCTIONS

1. To insert cable to unit, either use a 20mm gland entry or 20mm flexible conduit entry for single cables or pierce the provided flexible grommet with a small screwdriver and insert cable (min OD is 6mm) through the flexible outer and through the automatic strain relief. To insert cables strip back 6mm of insulation (if stranded twist strands together) depress the cable release button on the terminal block and insert, release the button. Ensure insulation is in the entry to the terminal block and no wires can touch.
2. Max cable conductor size is 1.5mm²



Remove the two screws at 'A'

Remove the power module 'B'

View of termination area



UN-SWITCHED LIVE FOR USE WITH EMERGENCY VERSIONS

Insert the power module back taking care to ensure it mates with the connectors shown and retighten the securing screws.

